



LIFAair®

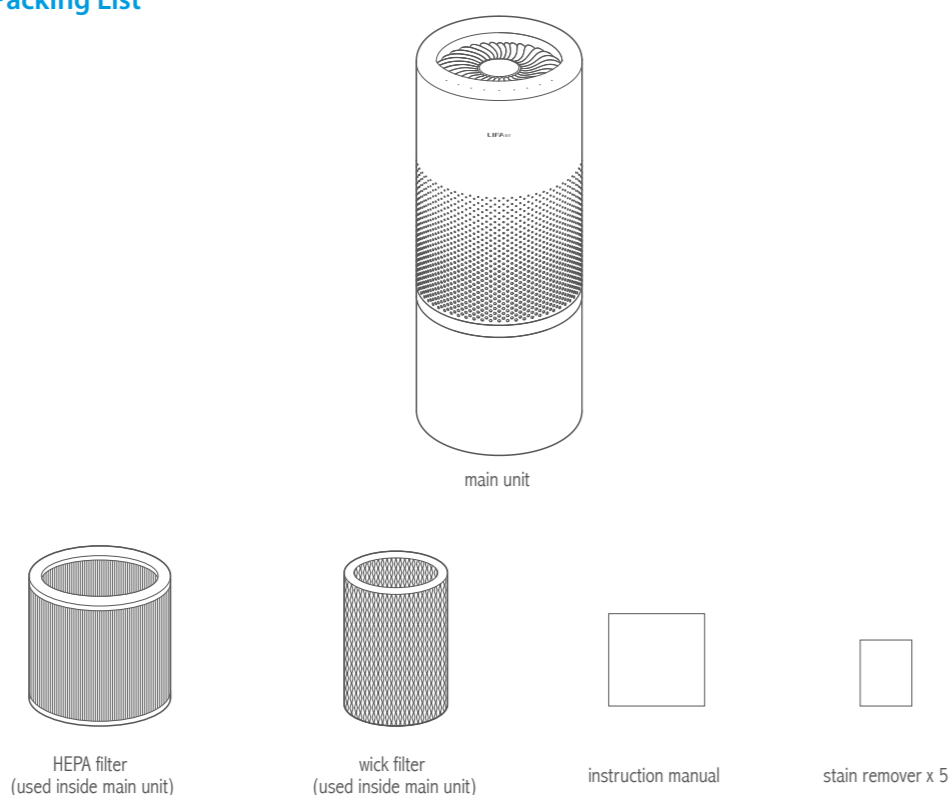
LAH302 Smart Air Purifying Humidifier

Please read this user manual carefully before using, and keep for future reference.

Preface

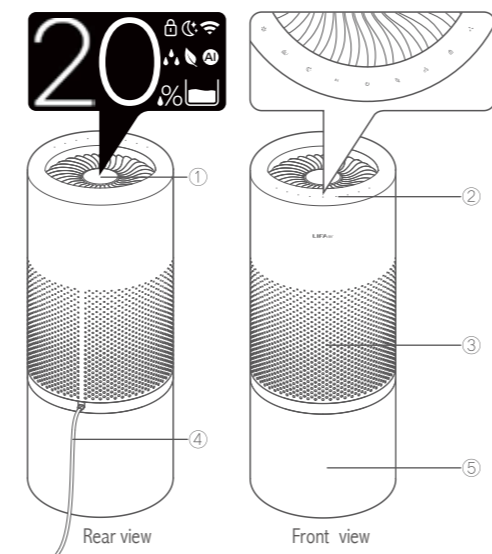
Thank you for choosing LIFAair! You are about to enjoy superior Finnish technology and innovation.

Packing List



Function Description

- ① Photosensitive sensor/water pouring reaction/display screen
- ② Touch control circle/buttons
 - ☼ Fan speed up: press to increase by level, press and hold to increase continuously
 - ☾ Cleaning mode: press and hold to start cleaning mode
 - ☽ Night mode: press and hold to enable/exit night mode
 - Ⓜ Smart/manual mode: press and hold to switch between smart mode and manual mode
 - Ⓜ Power on/standby/wick filter air-drying mode: press and hold: power on - wick filter air-drying mode - standby (if water level is too low, the wick filter air-drying mode does not function)
 - ⚡ Energy-saving mode: press and hold to enable/exit energy-saving mode
 - ☁ Humidifying mode: press and hold to enable/exit humidifying mode (target humidity: 60%); target humidity is 50% when the "☁" icon is not displayed.
 - 🔒 Child lock switch: press and hold to enable/exit child lock mode
 - ☼ Fan speed down: press to decrease by level, press and hold to decrease continuously
- ③ Air inlet
- ④ Power cable
- ⑤ Water barrel
 - Press and hold the "☼" "☾" buttons simultaneously: check filter lifespan
 - Press and hold the "☽" "Ⓜ" buttons simultaneously: reset filter lifespan
 - Press and hold the "⚡" "☁" buttons simultaneously: check device information
 - Press and hold the "🔒" "☼" buttons simultaneously: enter Wi-Fi network connection

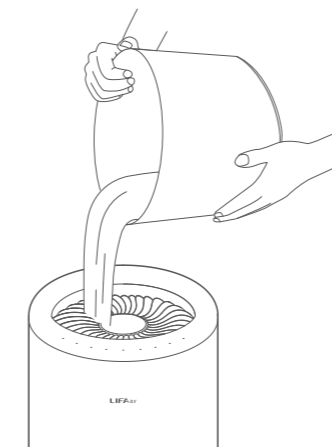


Note: Do not block the intake and exhaust opening.

Use

Add water

The display screen shows the current water level. When it shows "Low Water Level Add Water", the humidifier must be refilled to continue operating. Slowly add water. First pour water onto the display screen, it will auto-switch to the "Water Level" interface. When the water level reaches 100% along with a prompt tone, please cease to add water to avoid spilling. If the water level is too low, the humidifier will not operate; if the water level is too high, there will be prompt tone.



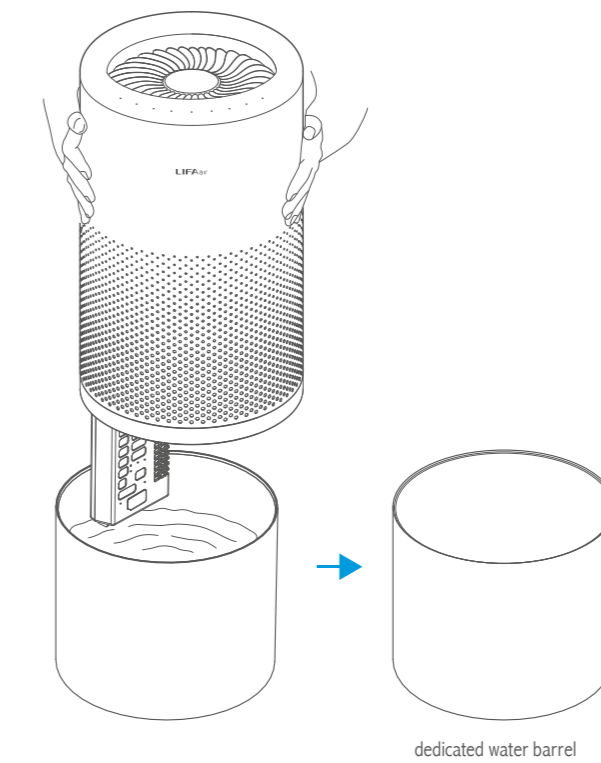
UV disinfection light

When the water level is over 90% for the first time, or the water level is over 90% for more than 24 hours, the UV disinfection light will auto-operate for 20 minutes. In subsequent use, the UV disinfection light will also auto-operate for 20 minutes if the water level is below 60% and then refilled to over 90%. The UV light operation does not interfere with the normal operation of the humidifier. The UV disinfection light function can be cancelled via the APP in the mobile phone.



Note: Due to product and software upgrades, operation interfaces shown on this manual may be slightly different from actual product. If any difference is found, the actual product prevails.

Water barrel cleaning (be sure the main unit is not operating, unplug the power cord and then proceed to clean water barrel)
A weekly barrel cleaning is recommended. Turn the power off, then lift the main unit by hands and place it onto a dedicated empty water barrel.



Note: When removing the main unit for barrel cleaning and cleaning mode, please turn the power off to lift the main unit by hands and place it onto a dedicated empty water barrel as shown above. Please also move the humidifier in this way. Slightly tilt the main unit, hold the main unit with one hand, and hold the bottom of the empty barrel with the other hand, then proceed to move.

IB-200-LAH302-02 V1.1

LIFAair Oy Ltd.
Vellamonkatu 30 B 00550 Helsinki Finland
Manufactured by Dongguan LIFAair Technology Limited
Address: No. 2, East Industry Road, Songshan Lake Science & Technology Industrial Park, Dongguan, 523808, CHINA
www.lifaair.com Designed in Finland

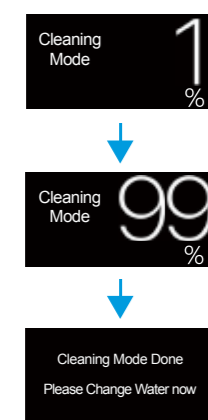
Cleaning mode

Please follow the steps below to perform a cleaning every two months:

- confirm that water level of the water barrel is below 30%;
- turn the power off;
- remove the main unit;
- drop the specified amount of stain remover into the water barrel and let it fully dissolve;
- place the main unit back onto the water barrel;
- turn the power on;
- press the "☾" icon;

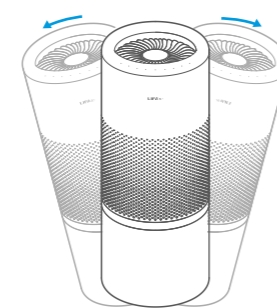
The humidifier will auto-run the pump continuously for 30 minutes. After cleaning is completed, there will be prompt tone and "Cleaning Mode Done" will be shown on the display screen. Then:

- turn the power off;
 - remove the main unit;
 - clean the water barrel;
 - place the main unit back onto the water barrel;
 - turn the power on;
- And then:
- pour the water from the top to reach around 50%;
 - press the "☾" button again;
 - turn the power off when hearing a prompt tone in 30 minutes;
 - remove the main unit;
 - pour water thoroughly out of the water barrel;
 - place the main unit back onto the water barrel;
 - turn the power on;
 - add water.
- The cleaning has been completed.



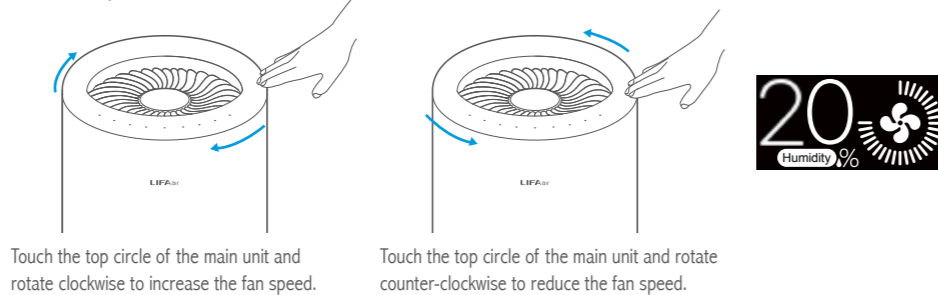
Tilting warning

Note: Use with caution to avoid tilting the humidifier! The main unit will turn off when tilted.



Manually control fan speed

Control the fan speed as convenient as this!



APP connection

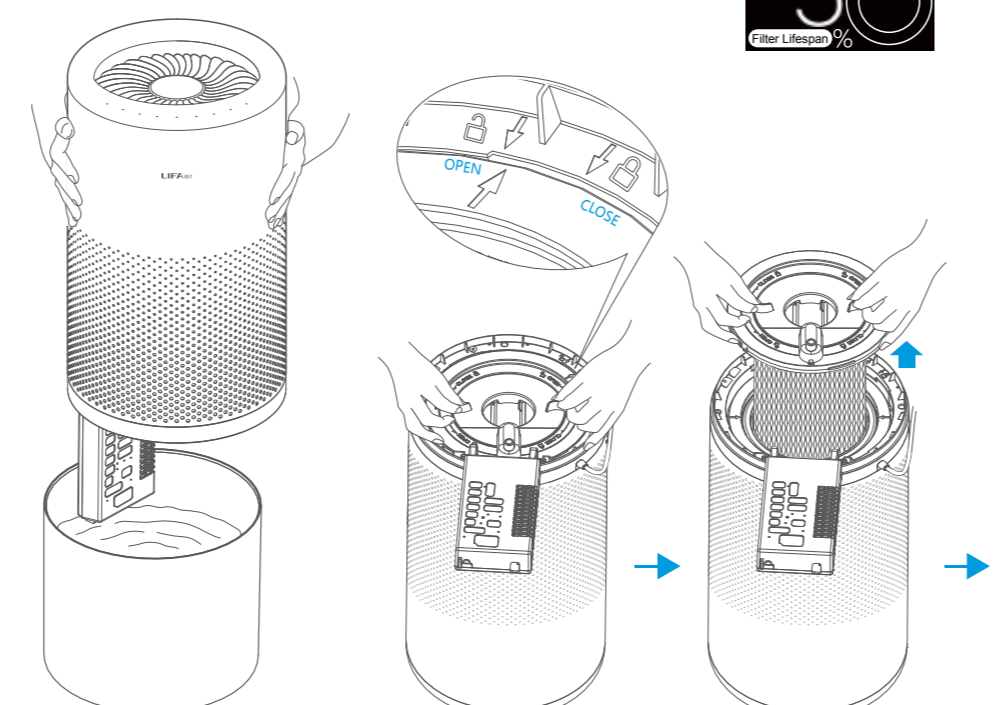
Scan the QR code to download and install the LIFAair APP. After installation is completed, add device in the APP, and follow instructions to operate.



Wick filter and HEPA filter replacement

(be sure the main unit is not operating, unplug the power cord and then proceed to replace wick filter and/or filter)

The humidifier has a reminder feature. When the "Filter Lifespan" indicated by the display screen reaches below 5%, the APP will warn you to replace soon. Press and hold the "☼" "☾" buttons simultaneously to check HEPA filter lifespan.

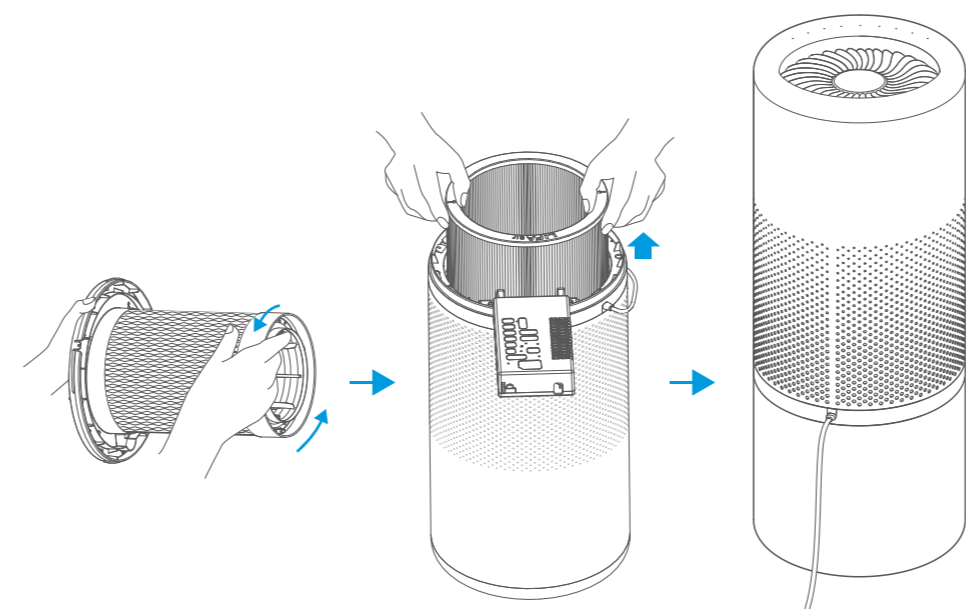


Please carefully separate the main unit and the water barrel, and avoid tilting as there is water in the water barrel.

Cover the ground with a soft towel or a protective pad, flip the main unit upside down and rotate the bottom cover to unlock position. Make sure the power is cut off.

Lift by hands to take out the wick filter.

After replacement is completed, press and hold the "☽" "Ⓜ" buttons simultaneously to reset the HEPA filter and wick filter lifespan, so as to re-start the smart monitoring for the HEPA filter and wick filter lifespan.



Rotate counter-clockwise to take out the wick filter for replacement.

Take out the HEPA filter for replacement.

After replacing the HEPA filter and wick filter, please reinstall in reverse order. Flip the main unit carefully back to the upright position. Then turn the power on for use.

Specifications

Product name: Smart Air Purifying Humidifier
Model number: LAH302
Rated humidification capacity: 1000mL/h
Humidification efficiency: 2.2mL/(h•W)
Rated water barrel capacity: 6.5L
Sound power level noise: < 60dB(A)
Rated input: 220-240V ~ 50/60Hz
Rated power: 450W/25W (Energy-saving mode)
Particle Clean Air Delivery Rate (CADR particulate matter): 180m³/h

Note: Performance data above are in accordance with GB/T23332-2018 and GB/T18801-2015 tested by the third-party laboratories.

Troubleshooting

Humidifier not working?

Please check whether the power cord is correctly connected. Please check whether the humidifier is at minimum fan speed. Please check whether the bottom cover is in the lock position.

Running noise?

Please check whether the HEPA filter is installed.

Fan still running when powered off?

Due to water residual on the wick filter, the humidifier will automatically perform a wick filter air-drying to prevent bacteria from growing in a humid environment.

Customer Service – International

If you have any questions, please contact us at care@lifa-air.com or visit us at www.lifaair.com

Please note: All rights to change or modify the product without prior notice are reserved.